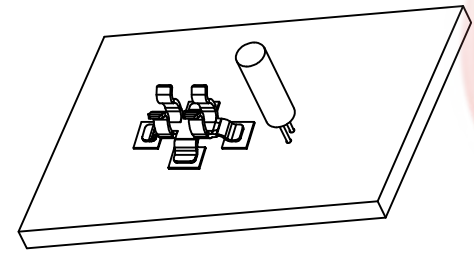
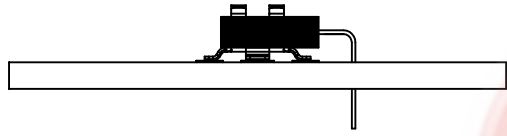


REV.	DESCRIPTION	DRAWN	CHECKED	APPROVED
A	NEW RELEASE	JLZ 03/08/16'		

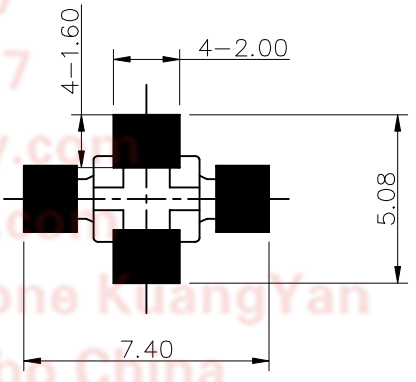
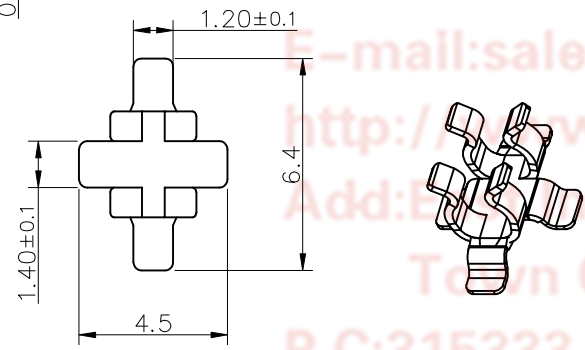
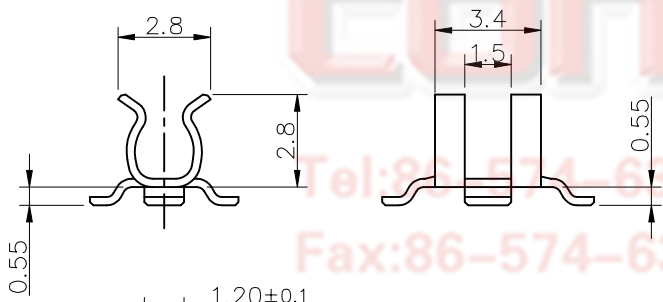
NOTES:

- 1 Material: Phosphor Bronze.
- 2 Plating: Matt Tin
- 3 Actuating force: 2N~8(Crystal $\phi 1.8 \pm 0.03$)
- 4 Durability: 100 Cycles Min.
- 5 PRODUCT NUMBER CODE:
DS1141-02-X X X X

- Packing type
R: Tape on Reel
- Plating(Pre-plating)
6: Full Matt Tin
- Mounting type
S: SMT type
- Connector Type
S: Socket



PCB assembly 3D effect chart



(Recommended solder paste thickness = 0.10mm)

GENERAL TOLERANCE		ANGLE TOLERANCE		PROJECTION		TITLE	Crystal Sokcet SX Type
X.	±0.60	X.	±2°	UNITS	mm	SHEET SIZE	A4
.X	±0.38	.X	±1°	SHEET SIZE	A4	SERIES	DS1141-02 SERIES
.XX	±0.25	.XX	±0.5°				
DRAWING TYPE		COMPONENTS		晨翔电子有限公司 CONNFLY ® CONNFLY ELECTRONIC CO., LTD			
SCALE	1:1	SHEET	1 OF 1				
DRAWING NO.	C-DS1141-02-XXXX-A						