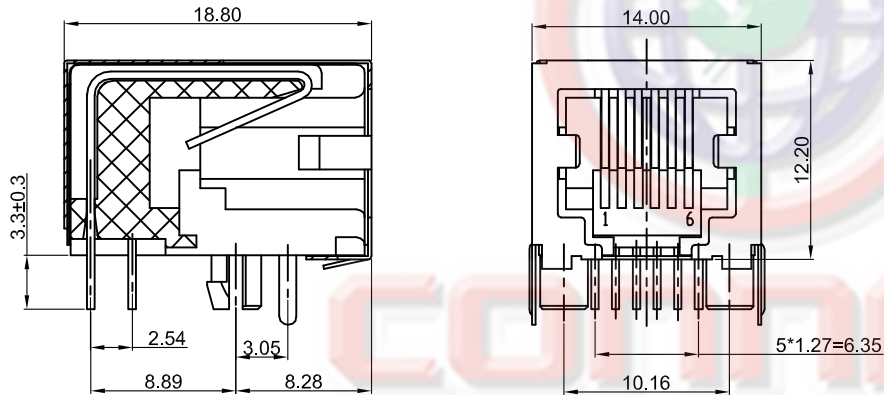


The information provided herein is from CONNELY Electronic Co., Ltd. and is confidential. Any disclosure to a party other than the recipient is prohibited. The intellectual properties and its rights contained herein, including but not limited to, trademarks, patents, copyrights, trade secrets, and technical know-how, are owned exclusively by CONNELY or its affiliates. Unauthorized use of this information in any format or manner. CONNELY may enforce its intellectual property rights at its own discretion; failures or delays to exercise such rights does not constitute a waiver of such rights.

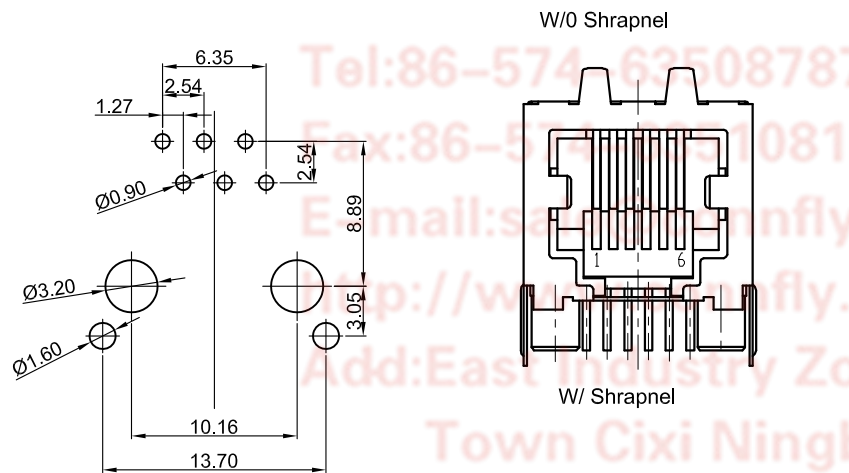
1 2 3 4 5 6 7 8

REV.	DESCRIPTION	DRAWN	CHECKED	APPROVED
A	NEW RELEASE	JLZ 08/10/18'		



- NOTES:
- ELECTRICAL CHARACTERISTICS:
 - CONTACT RESISTANCE: 30mΩ Max.
 - DIELECTRIC WITHSTANDING VOLTAGE: 500V AC(rms) FOR 1 MINUTE.
 - INSULATION RESISTANCE: 500MΩ Min.
 - CURRENT RATING: 1.5A.
 - VOLTAGE RATING: 125V AC RMS.
 - ENVIRONMENT CHARACTERISTICS:
 - TEMPERATURE: -40°C~+85°C.
 - MATERIALS
 - CONTACT MATERIAL: COPPER ALLOY.
 - CONTACT PLATING: GOLD PLATING OVER NICKEL.
 - INSULATOR MATERIALS: THERMOPLASTIC.
 - PRODUCT NUMBER CODE:

DS1133-11 - X X X X X X



- Sheel Type
- X:W/O Shrapnel
- S:W/ Shrapnel
- Housing Materials
- P:PBT
- Contact Plating
- 8:Gold flash
- Housing Color
- B:Black
- No.Of Contacts
- 6:6p6c
- Connector Type
- S:Socket

RECOMMEND PCB LAYOUT
TOLERANCE=±0.05mm

GENERAL TOLERANCE		ANGLE TOLERANCE		PROJECTION		TITLE	PCB JACK 6p6c W/ Shell
X.	±0.60	X.	±5°	UNITS	mm		
.X	±0.38	.X	±3°	SHEET SIZE	A4	SERIES	DS1133-11 SERIES
.XX	±0.25	.XX	±2°	晨翔电子有限公司 CONNELY CONNELY ELECTRONIC CO. LTD			
DRAWING TYPE		CUSTOMER					
SCALE		1:1	SHEET 1 OF 1				
DRAWING NO.		C-DS1133-11-XXXXX-A					

1 2 3 4 5 6 7 8