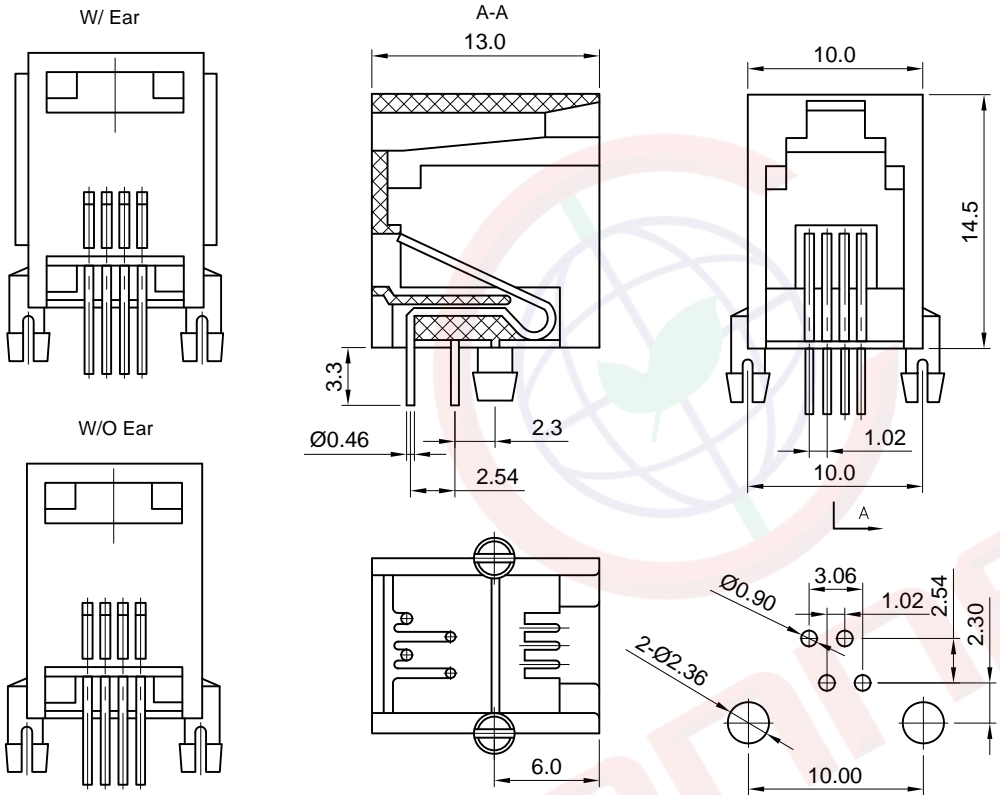


Dept	
Qty	
DC	1
ED	1
IE	1
ISO	1
PD	1
R&D	1
SD	1
QA	1
QC	1
QE	1

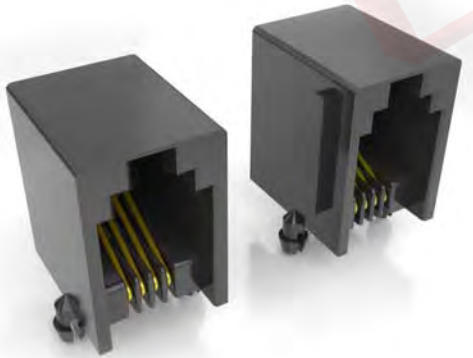
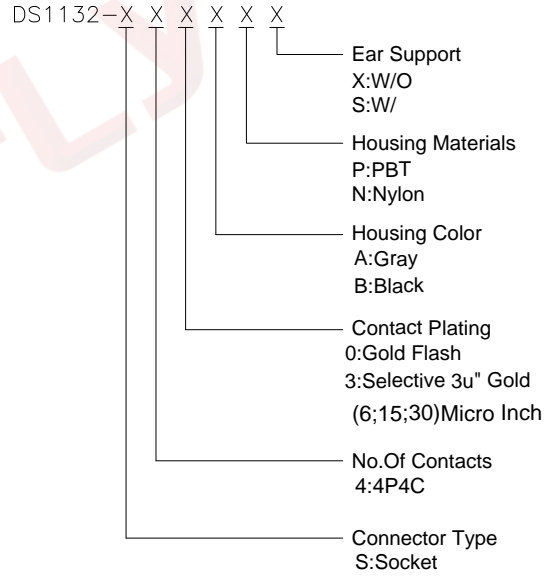
The information provided herein is from CONNELY Electronic Co., Ltd. and is confidential. Any disclosure to a party other than the recipient is prohibited. The intellectual properties and its rights contained herein, including but not limited to, trademarks, patents, copyrights, trade secrets, and technical know-how, are owned exclusively by CONNELY or its affiliates. Unauthorized use or reproduction of any part of this document without the prior written permission of CONNELY may result in legal action. CONNELY may enforce its intellectual property rights at its own discretion, failures or delays to exercise such rights does not constitute a waiver of such rights.

REV.	DESCRIPTION	DRAWN	CHECKED	APPROVED
A	NEW RELEASE	LL 06/24/06'		
B	DRAWING UPDATE	JLZ 04/19/21'		



Recommend PCB Layout(Tolerance=±0.05)

- Notes:
- Electrical Characteristics:
 - Contact Resistance: 30mΩ Max.
 - Dielectric Withstanding Voltage: 500V AC(rms) For 1 Minute.
 - Insulation Resistance: 500MΩ Min.
 - Current Rating:1.5A.
 - Voltage Rating:125V AC rms.
 - Environment Characteristics:
 - Temperature: -40°C~+85°C.
 - Materials:
 - Contact Material: Copper Alloy.
 - Contact Plating: Gold Plating Over Nickel.
 - Insulator Materials:PBT or Nylon,Black,UL94-V0.
 - Product Number Code:



(Series Image-Reference Only)

GENERAL TOLERANCE	ANGLE TOLERANCE	PROJECTION		TITLE	PCB Jack 4 Positions W/O Shell Standard Type
X. ±0.60	X. ±5°	UNITS	mm	SHEET	1 OF 1
.X ±0.38	.X ±3°	SHEET SIZE	A4	SERIES	DS1132 SERIES
.XX ±0.25	.XX ±2°	晨翔电子有限公司 CONNFLY ELECTRONIC CO. LTD			
DRAWING TYPE	CUSTOMER				
SCALE	1:1				
DRAWING NO.	C-DS1132-XXXXXX-B				