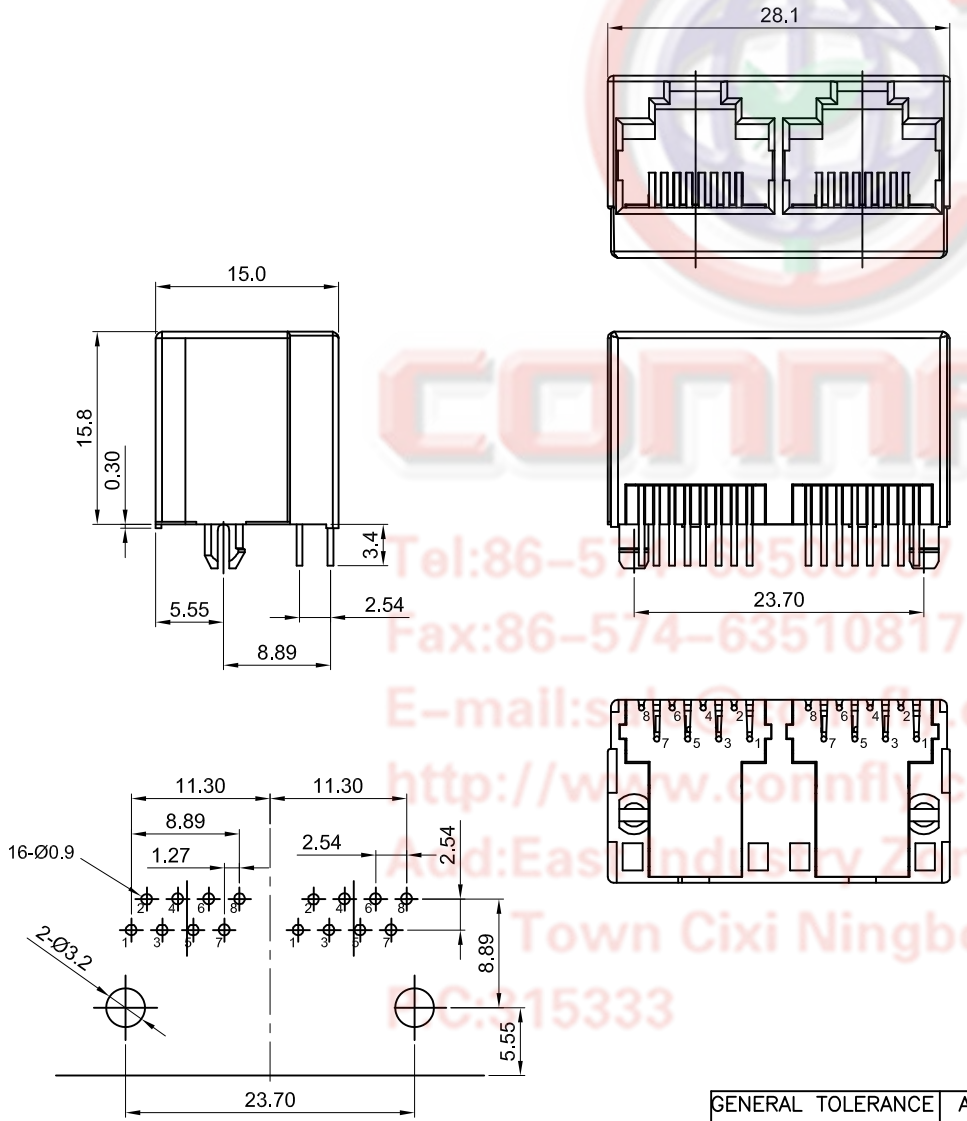


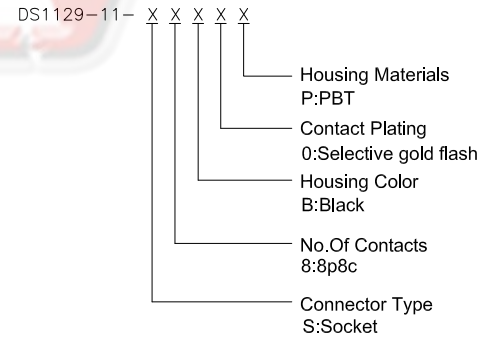
The information provided herein is from CONNELY Electronic Co., Ltd. and is confidential. Any disclosure to a party other than the recipient is prohibited. The intellectual properties and its rights contained herein, including but not limited to, trademarks, patents, copyrights, trade secrets, and technical know-how, are owned exclusively by CONNELY or its affiliates. Unauthorized use of the information herein, in any format or manner, CONNELY may enforce its intellectual property rights at its own discretion; failures or delays to exercise such rights does not constitute a waiver of such rights.

1 2 3 4 5 6 7 8

REV.	DESCRIPTION	DRAWN	CHECKED	APPROVED
A	NEW RELEASE	JLZ 03/28/19'		



- Notes:
- Electrical Characteristics:
 - Contact Resistance: 300mΩ Max.
 - Dielectric Withstanding Voltage: 1000V AC(rms) For 1 Minute.
 - Insulation Resistance: 500MΩ Min.
 - Current Rating: 1.5A.
 - Voltage Rating: 125V AC rms.
 - Environment Characteristics:
 - Temperature: -40°C~+85°C.
 - Materials:
 - Contact Material: Copper Alloy.
 - Contact Plating: Selective gold flash.
 - Insulator Materials: PBT, UL94-V0.
 - Product Number Code:



PCB LAYOUT THICKNESS=1.6mm

GENERAL TOLERANCE		ANGLE TOLERANCE		PROJECTION		TITLE	PCB JACK 8P 1*2 PORT W/O SHELL V/T TYPE	
X.	±0.60	X.	±5°	UNITS	mm	SHEET	A4	
.X	±0.38	.X	±3°	SHEET SIZE	A4	SERIES	DS1129-11 SERIES	
.XX	±0.25	.XX	±2°	晨翔电子有限公司 CONNELY CONNELY ELECTRONIC CO. LTD				
DRAWING TYPE		CUSTOMER						
SCALE		1:1	SHEET 1 OF 1					
DRAWING NO.		C-DS1129-11-XXXXX-A						

1 2 3 4 5 6 7 8