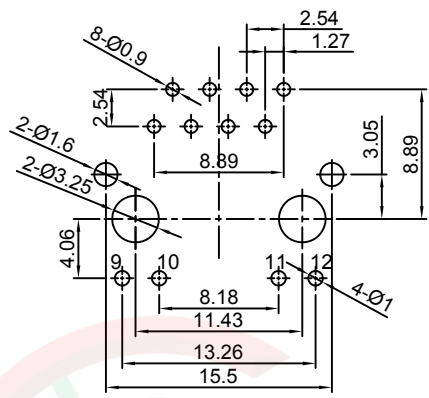
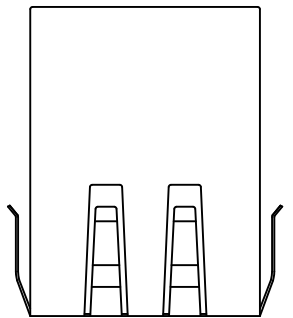
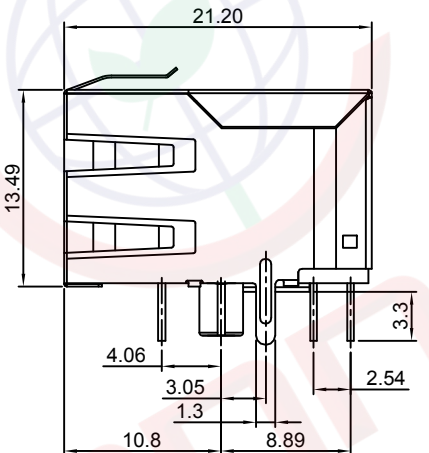
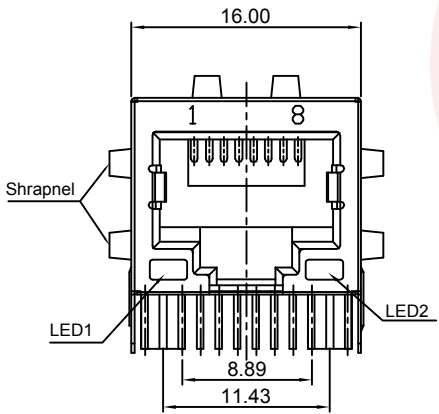


Dept	Qty
DC	1
ED	1
IE	1
ISO	1
PD	1
R&D	1
SD	1
QA	1
QC	1
QE	1

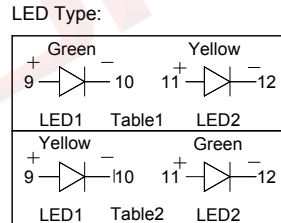
The information provided herein is from CONNELY Electronic Co., Ltd. and is confidential. Any disclosure to a party other than the recipient is prohibited. The intellectual properties and its rights contained herein, including but not limited to, trademarks, patents, copyrights, trade secrets, and technical know-how, are owned exclusively by CONNELY or its affiliates. Unauthorized use or reproduction of any part of this document is strictly prohibited. CONNELY may enforce its intellectual property rights at its own discretion, failures or delays to exercise such rights does not constitute a waiver of such rights.



Recommend PCB layout
(Tolerance:±0.05)



(Series Image-Reference Only)

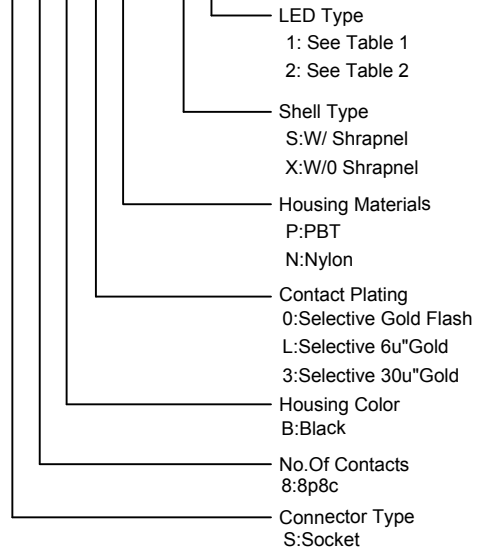


REV.	DESCRIPTION	DRAWN	CHECKED	APPROVED
A	NEW RELEASE	JLZ 10/26/15'		LJC 10/26/15'
B	DRAWING UPDATE	JLZ 08/19/20'		

NOTES:

- Electrical characteristics:
 - Contact resistance: 30mΩ Max.
 - Dielectric withstanding voltage: 1000V AC(rms) for 1 minute.
 - Insulation resistance: 1000MΩ Min.
 - Current rating:1.5A.
- Environment characteristics:
 - Temperature: -40°C~+85°C.
- Materials
 - Contact material: Copper alloy.
 - Contact plating: Selective gold
 - Insulator materials: Thermoplastic,Black.
- Product Number Code:

DS1128-12 - X X X X - X X



GENERAL TOLERANCE		ANGLE TOLERANCE	
X.	±0.60	X.	±5°
.X	±0.38	.X	±3°
.XX	±0.25	.XX	±2°
DRAWING TYPE		CUSTOMER	
SCALE	1:1	SHEET	1 OF 1
DRAWING NO.	C-DS1128-12-XXXXX-XX-B		

PROJECTION		TITLE	PCB JACK 8P 1PORT W/ LED
UNITS	mm		W/ Shell AFTER 3.05mm Type
SHEET SIZE	A4	SERIES	DS1128-12 SERIES

晨翔电子有限公司
CONNFLY CONNELY ELECTRONIC CO. LTD