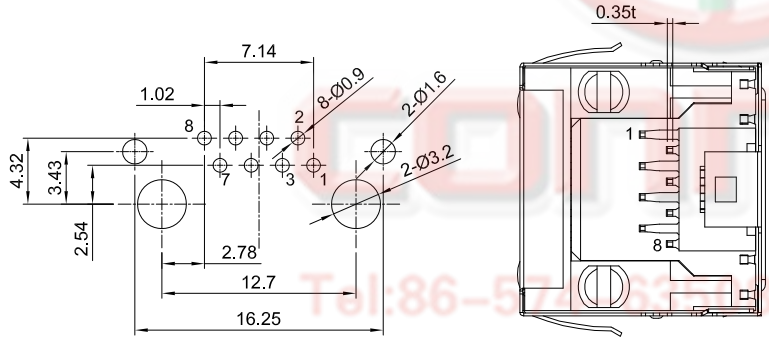
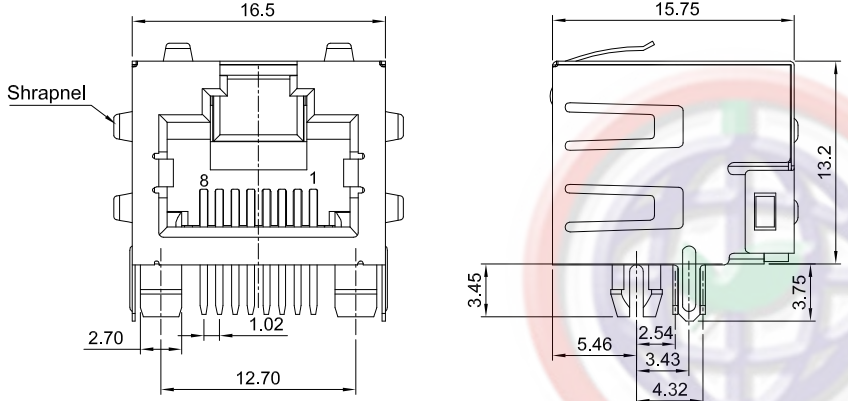


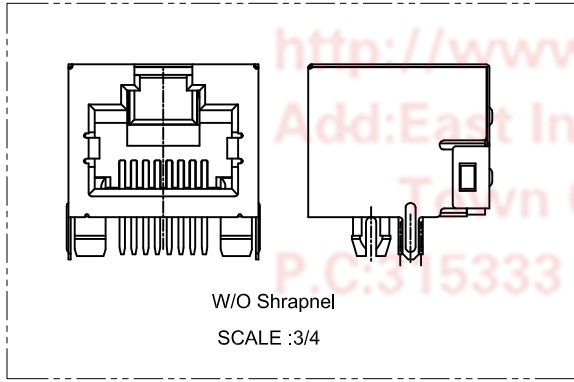
The information provided herein is from CONNELY Electronic Co., Ltd. and is confidential. Any disclosure to a party other than the recipient is prohibited. The intellectual properties and its rights contained herein, including but not limited to, trademarks, patents, copyrights, trade secrets, and technical know-how, are owned exclusively by CONNELY or its affiliates. Unauthorized use of this information in any format or manner. CONNELY may enforce its intellectual property rights at its own discretion; failures or delays to exercise such rights does not constitute a waiver of such rights.

1 2 3 4 5 6 7 8

REV.	DESCRIPTION	DRAWN	CHECKED	APPROVED
A	NEW RELEASE	JLZ 06/08/16'	HZW 06/08/16'	LJC 06/08/16'
B	DRAWING UPDATE	JLZ 04/29/19'		



PCB LAYOUT
THICKNESS=1.6mm



W/O Shrapnel
SCALE :3/4

NOTES:

- ELECTRICAL CHARACTERISTICS:
 - CONTACT RESISTANCE: 20mΩ Max.
 - DIELECTRIC WITHSTANDING VOLTAGE: 500V AC(rms) FOR 1 MINUTE.
 - INSULATION RESISTANCE: 1000MΩ Min.
 - VOLTAGE RATING: 125V.
 - CURRENT RATING: 1.5A.
- ENVIRONMENT CHARACTERISTICS:
 - TEMPERATURE: -40°C~+85°C.
- MATERIALS
 - CONTACT MATERIAL: COPPER ALLOY.
 - CONTACT PLATING: SECLECTIVE GOLD FLASH.
 - INSULATOR MATERIALS: PBT OR NYLON BLACK.
- PRODUCT NUMBER CODE:

DS1128-06-X X X X X - X

- Shell Type
 - S:W/ Shrapnel
 - X:W/O Shrapnel
- Housing Materials
 - N:Nylon
 - P:PBT
- Contact Plating
 - 0:Seclective Gold Flash
- Housing Color
 - B:Black
- No.Of Contacts
 - 8:8p8c
- Connector Type
 - S:Socket

Tel:86-574-63510817
 Fax:86-574-63510817
 E-mail:sale@connfly.com
 http://www.connfly.com
 Add:East Industry Zone KuangYan
 Town Cixi Ningbo China
 P.C:315333

GENERAL TOLERANCE		ANGLE TOLERANCE		PROJECTION		TITLE	PCB Jack 8 Positions
X.	±0.60	X.	±5°	UNITS	mm	W/ Full Shell After 3.43mm	
.X	±0.38	.X	±3°	SHEET SIZE	A4	SERIES	DS1128-06 SERIES
.XX	±0.25	.XX	±2°	晨翔电子有限公司 CONNFLY CONNELY ELECTRONIC CO. LTD			
DRAWING TYPE		CUSTOMER					
SCALE		1:1	SHEET 1 OF 1				
DRAWING NO.		C-DS1128-06-XXXXX-X-B					

1 2 3 4 5 6 7 8