

REV.	DESCRIPTION	DRAWN	CHECKED	APPROVED
A	NEW RELEASE	LJH 03/01/05'		

SPECIFICATION

1. Insulation Resistance:1000MΩ Min.
2. Withstand Voltage:500V AC/Minute.
3. Durability:600 Cycles Min.
4. Contact resistance:50mΩ max.
5. Product Number Code:

DS1123 - X X X X

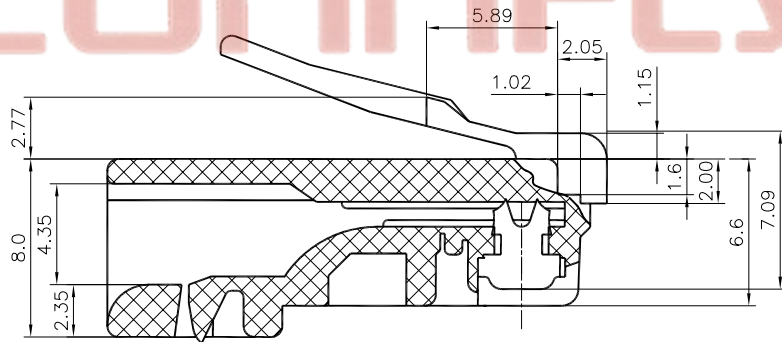
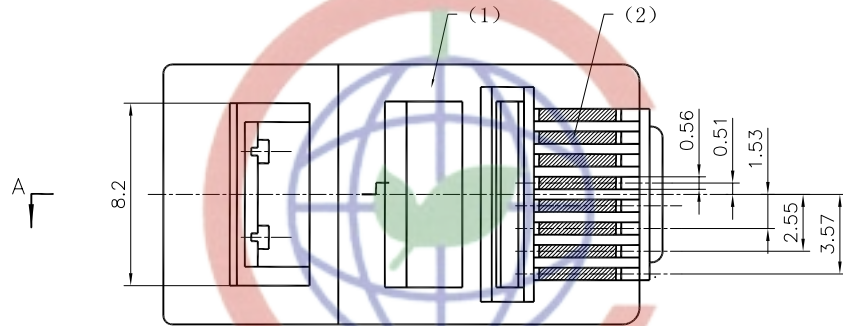
Housing Color
T:Transparent

Contact Plating
0:Gold Flash 15:15u''Au
3:3u''Au 30:30u''Au
6:6u''Au

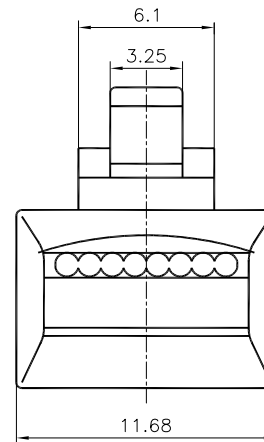
No.Of Contacts
8:8p8c

Connector Type
P:Plug

Series No.
DS1123



Section A-A



Tel: 86-574-63508787


Fax: 86-574-63510817

No.	PART NAME	Q'TY	MATERIAL	REMARK
(2)	BLADE	8	Copper alloy	GOLD PLATING
(1)	HOUSING	1	PC	UL94 V-0 OR 94 V-2

GENERAL TOLERANCE		ANGLE TOLERANCE	
X.	±0.60	X.	±5'
.X	±0.38	.X	±3'
.XX	±0.25	.XX	±2'

DRAWING TYPE	CUSTOMER		
SCALE	1:1	SHEET	1 OF 1
DRAWING NO.	C-DS1123-XXXX		

PROJECTION	TITLE
UNITS mm	RJ45 8P Plug
SHEET SIZE A4	SERIES DS1123 SERIES


晨翔电子有限公司
CONNFLY CONNFLY ELECTRONIC CO. LTD