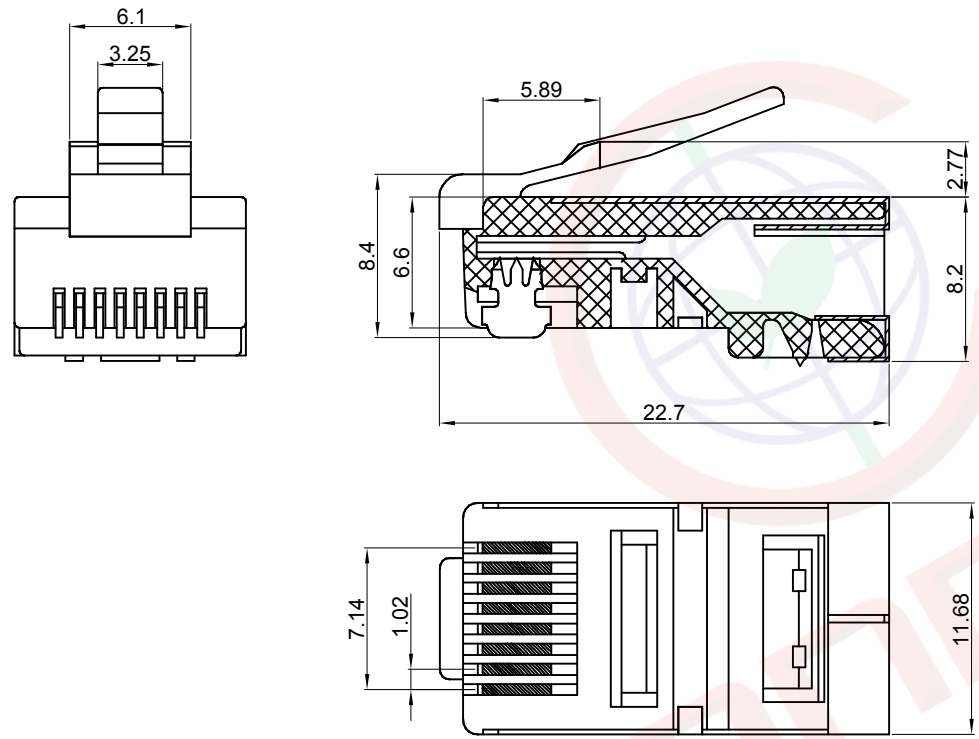


Dept	
Qty	
DC	1
ED	1
IE	1
ISO	1
PD	1
R&D	1
SD	1
QA	1
QC	1
QE	1

The information provided herein is from CONNELY Electronic Co., Ltd. and is confidential. Any disclosure to a party other than the recipient is prohibited. The intellectual properties and its rights contained herein, including but not limited to, trademarks, patents, copyrights, trade secrets, and technical know-how, are owned exclusively by CONNELY or its affiliates. Unauthorized use or reproduction of this information without the prior written consent of CONNELY is strictly prohibited. CONNELY may enforce its intellectual property rights at its own discretion, failures or delays to exercise such rights does not constitute a waiver of such rights.

REV.	DESCRIPTION	DRAWN	CHECKED	APPROVED
A	NEW RELEASE	JLZ 09/22/16'		
B	DRAWING UPDATE	JLZ 12/14/20'		



Notes:

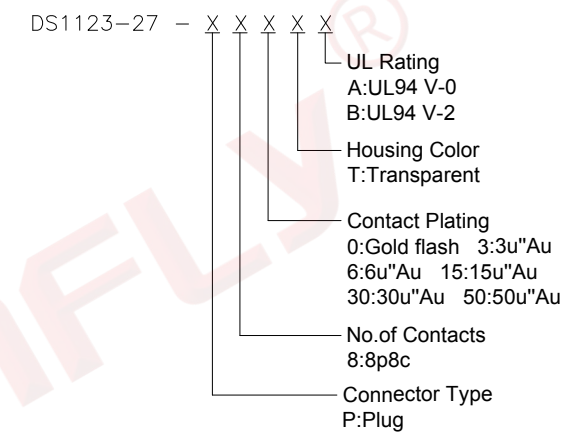
Specifications:

- Insulation Resistance: 1000MΩ Min.
- Dielectric Withstanding Voltage: 600V AC(rms) For 1 Minute.
- Durability:750 mating circles min.

Materials:

- Contact Material: Copper Alloy,Gold Plated.
- Shell Material: Copper Alloy,Nickel Plated.
- Insulator Material: PC,Transparent,UL94-V0 or V2.

Product Number Code:



GENERAL TOLERANCE	ANGLE TOLERANCE	PROJECTION		TITLE	RJ45 Plug 8P8C Round W/ Shell Type	
X. ±0.60	X. ±5°	UNITS	mm	SERIES	DS1123-27 SERIES	
.X ±0.38	.X ±3°	SHEET SIZE	A4			
.XX ±0.25	.XX ±2°					
DRAWING TYPE	CUSTOMER		晨翔电子有限公司 CONNFLY ELECTRONIC CO. LTD			
SCALE	1:1	SHEET				1 OF 1
DRAWING NO.	C-DS1123-27-XXXXX-B					