

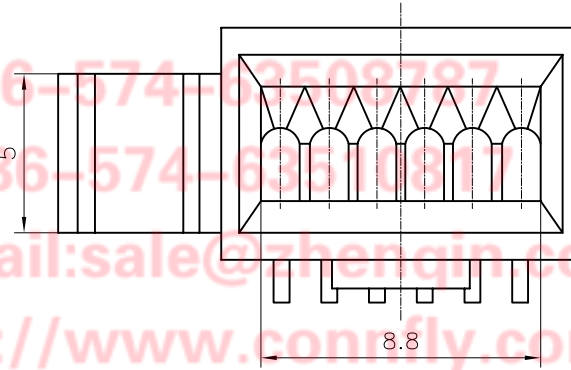
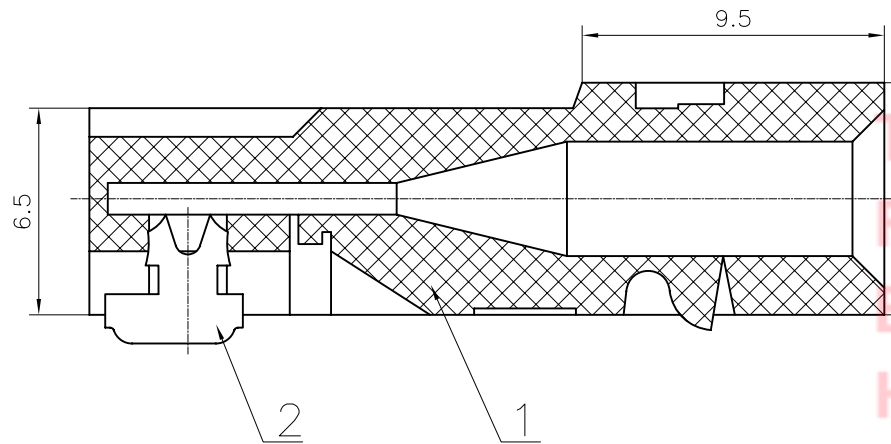
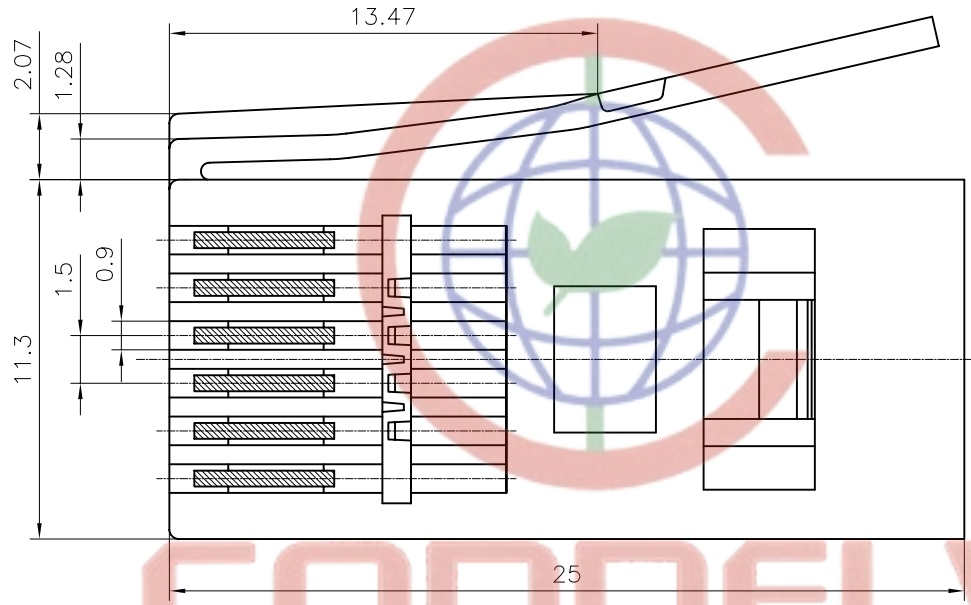
REV.	DESCRIPTION	DRAWN	CHECKED	APPROVED
A	NEW RELEASE	YCH 08/23/07'		

SPECIFICATION

1. Insulation Resistance:1000MΩ Min.
2. Withstand Voltage:500V AC/Minute.
3. Durability:600 Cycles Min.
4. Contact resistance:50mΩ max.
5. Product Number Code:

DS1122-12 - X X X X

- Housing Color
W:White
- Contact Plating
0:Gold Flash 15:15u''Au
3:3u''Au 30:30u''Au
6:6u''Au
- No.Of Contacts
6:6p6c
- Connector Type
P:Plug
- Series No.
DS1122-12



No.	PART NAME	Q'TY	MATERIAL	REMARK
(2)	BLADE	6	Copper alloy	GOLD PLATING
(1)	HOUSING	1	Thermoplastic	UL94 V-0 OR 94 V-2

GENERAL TOLERANCE		ANGLE TOLERANCE	
X.	±0.60	X.	±5'
.X	±0.38	.X	±3'
.XX	±0.25	.XX	±2'

DRAWING TYPE	CUSTOMER
SCALE	1:1
DRAWING NO.	C-DS1122-12-XXXX

PROJECTION	TITLE
	Plug 6P6C
UNITS	mm
SHEET SIZE	A4
SERIES	DS1122-12 SERIES

晨翔电子有限公司
CONNFLY CONNFLY ELECTRONIC CO. LTD