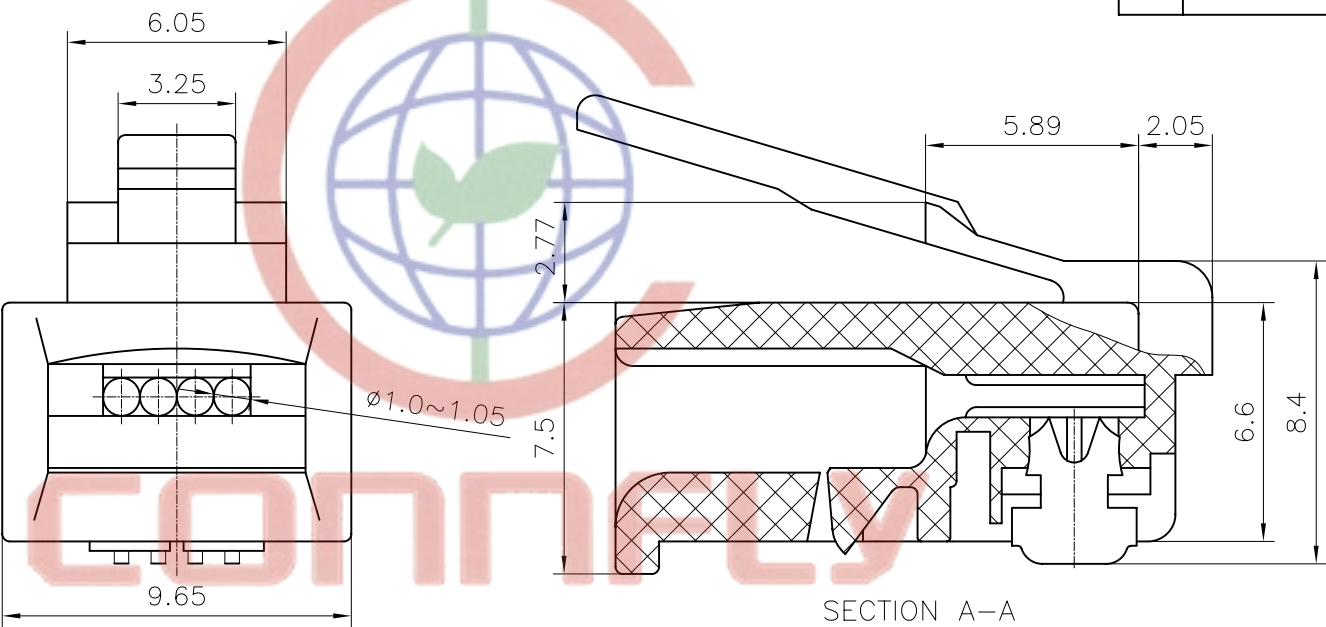


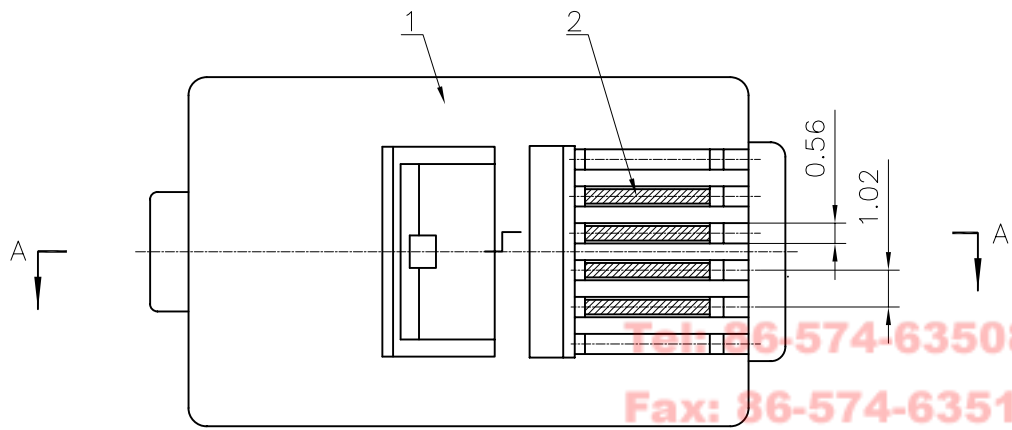
REV.	DESCRIPTION	DRAWN	CHECKED	APPROVED
A	NEW RELEASE	YCH 08/23/07'	~	



SPECIFICATION

- Insulation Resistance: 1000MΩ Min.
- Withstand Voltage: 500V AC/Minute.
- Durability: 600 Cycles Min.
- Contact resistance: 50mΩ max.
- Product Number Code:
DS1122-07 - X X X X

Housing Color
 T: Transparent
 Contact Plating
 0: Gold Flash 15: 15u''Au
 3: 3u''Au 30: 30u''Au
 6: 6u''Au
 No. Of Contacts
 4: 6p4c
 Connector Type
 P: Plug
 Series No.
 DS1122-07




Tel: 86-574-63508787
 Fax: 86-574-63510817

No.	PART NAME	Q'TY	MATERIAL	REMARK
(2)	BLADE	4	Copper alloy	GOLD PLATING
(1)	HOUSING	1	PC	UL94 V-0 OR 94 V-2

GENERAL TOLERANCE		ANGLE TOLERANCE	
X.	±0.60	X.	±5'
.X	±0.38	.X	±3'
.XX	±0.25	.XX	±2'
DRAWING TYPE		CUSTOMER	
SCALE		1:1 SHEET 1 OF 1	
DRAWING NO.		C-DS1122-07-XXXX	

PROJECTION	TITLE
⊕	Plug 6P4C ROUND TYPE (Length 16.5mm)
UNITS	mm
SHEET SIZE	A4
SERIES	DS1122-07 SERIES


晨翔电子有限公司
CONNFLY CONNFLY ELECTRONIC CO. LTD