

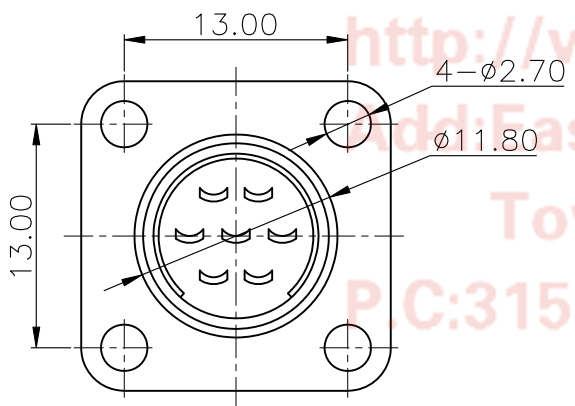
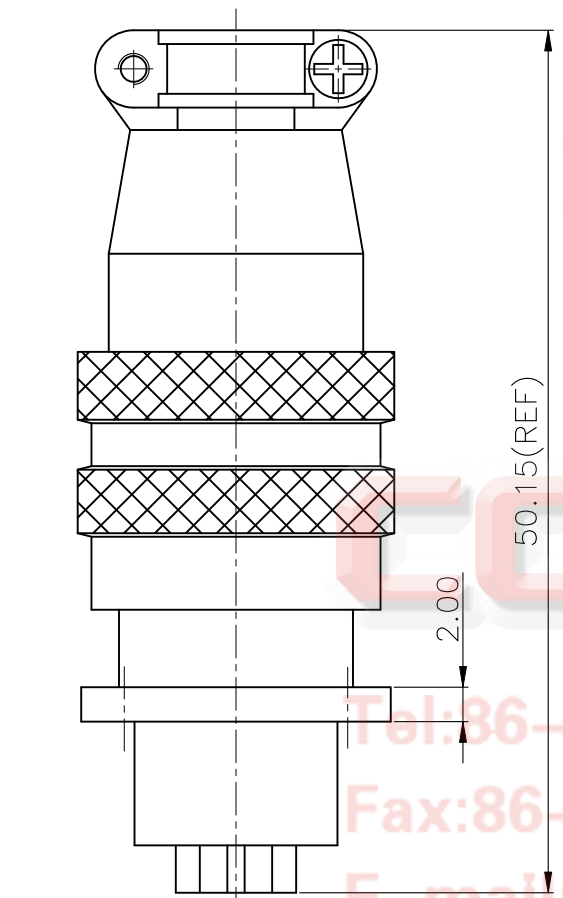
REV.	DESCRIPTION	DRAWN	CHECKED	APPROVED
A	NEW RELEASE	YCH 08/17/07'	~	

NOTES:

- SPECIFICATION
 - .CURRENT RATING: 5A Max.
 - .DIELECTRIC WITH STANDING VOLTAGE: 500V(AC)
 - .CONTACT RESISTANCE: 100mΩ Max.
 - .INSULATION RESISTANCE: 1000MΩ(DC)Min.
- PRODUCT NUMBER CODE:

DS1110-03 - X X X X


- X: SHELL SURFACE FINISHED
G: ZINC PLATING
- X: CONTACT PLATING
Y: SILVER
- X: COLOR OF HOUSING:
W: WHITE
- X: No. OF CONTACTS
02: 2pin 05: 5pin
03: 3pin 06: 6pin
04: 4pin 07: 7pin



GENERAL TOLERANCE	ANGLE TOLERANCE
X. ±0.60	X. ±5°
.X ±0.38	.X ±3°
.XX ±0.25	.XX ±2°

PROJECTION	TITLE
UNITS: mm	MICRO JACK CONNECTOR
SHEET SIZE: A4	SERIES: DS1110-03 SERIES

DRAWING TYPE	CUSTOMER
SCALE: 1:1	SHEET: 1 OF 1
DRAWING NO.:	C-DS1110-03-XXX


晨翔电子有限公司
CONNFLY CONNFLY ELECTRONIC CO. LTD

Tel: 86-574-63508787
 Fax: 86-574-63510817
 E-mail: sale@connfly.com
<http://www.connfly.com>
 Add: East Industry Zone KuangYan
 Town Cixi Ningbo China
 P.C: 315333