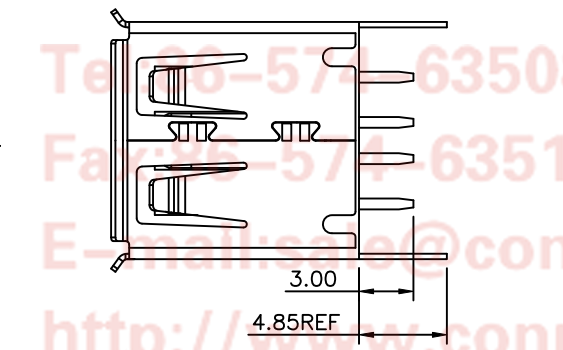
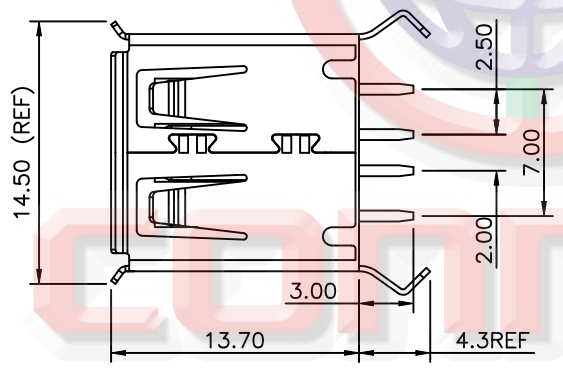
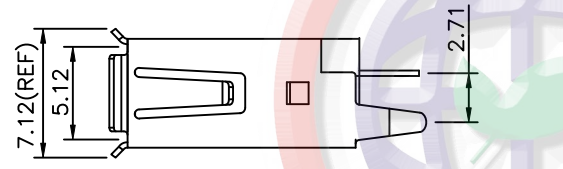
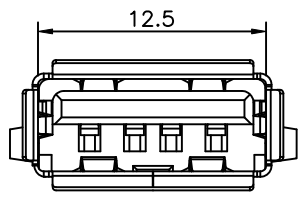


REV.	DESCRIPTION	DRAWN	CHECKED	APPROVED
A	NEW RELEASE	YCH 06/20/12'	~	LJC 06/20/12'
B	DRAWING UPDATE	JLZ 06/26/17'	~	



NOTES:

- SPECIFICATIONS:
  - CONTACT RESISTANCE: 30mΩ max.
  - INSULATOR RESISTANCE: 1000MΩ min.AT DC 500V.
  - CURRENT RATING: 1.5A.
  - VOLTAGE RATING: 30V AC/DC.
  - DIELECTRIC STRENGTH: AC 500V FOR 1 Minute.
- MATERIALS:
  - HOUSING: PBT+30% GLASS FIBER(UL 94-0).
  - CONTACT: COPPER ALLOY
  - SHELL: COPPER ALLOY OR STEEL.
- PRODUCT NUMBER CODE:
 

DS1095-09-X X X X - X

MATERIAL OF SHELL  
 Fe: Steel  
 N/A Code: Copper Alloy

CONTACT PLATING  
 0: Selective gold flash  
 03: Selective gold 3u"  
 30: Selective gold 30u"

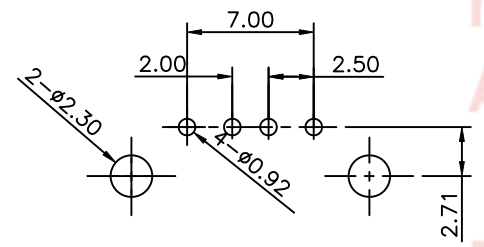
BOARDLOCK TYPE  
 S: Straight type  
 B: Bend type

SHELL PLATING:  
 N: Nickel  
 6: Tin

COLOR OF HOUSING:  
 W: White  
 B: Black

BEND TYPE →

STRAIGHT TYPE →




Tel: 86-574-63508787  
 Fax: 86-574-63510817  
 E-mail: sales@connfly.com  
 http://www.connfly.com  
 Add: East Industry Zone KuangYan  
 Town Civi Ningbo China  
 P.C: 315333

GENERAL TOLERANCE		ANGLE TOLERANCE	
X.	±0.60	X.	±5°
.X	±0.38	.X	±3°
.XX	±0.25	.XX	±2°

PROJECTION	TITLE
UNITS	mm
SHEET SIZE	A4
SERIES	DS1095-09 SERIES

DRAWING TYPE	CUSTOMER
SCALE	1:1 SHEET 1 OF 1
DRAWING NO.	C-DS1095-09-XXXX-X-B

 **晨翔电子有限公司**  
**CONNFLY CONNFLY ELECTRONIC CO. LTD**