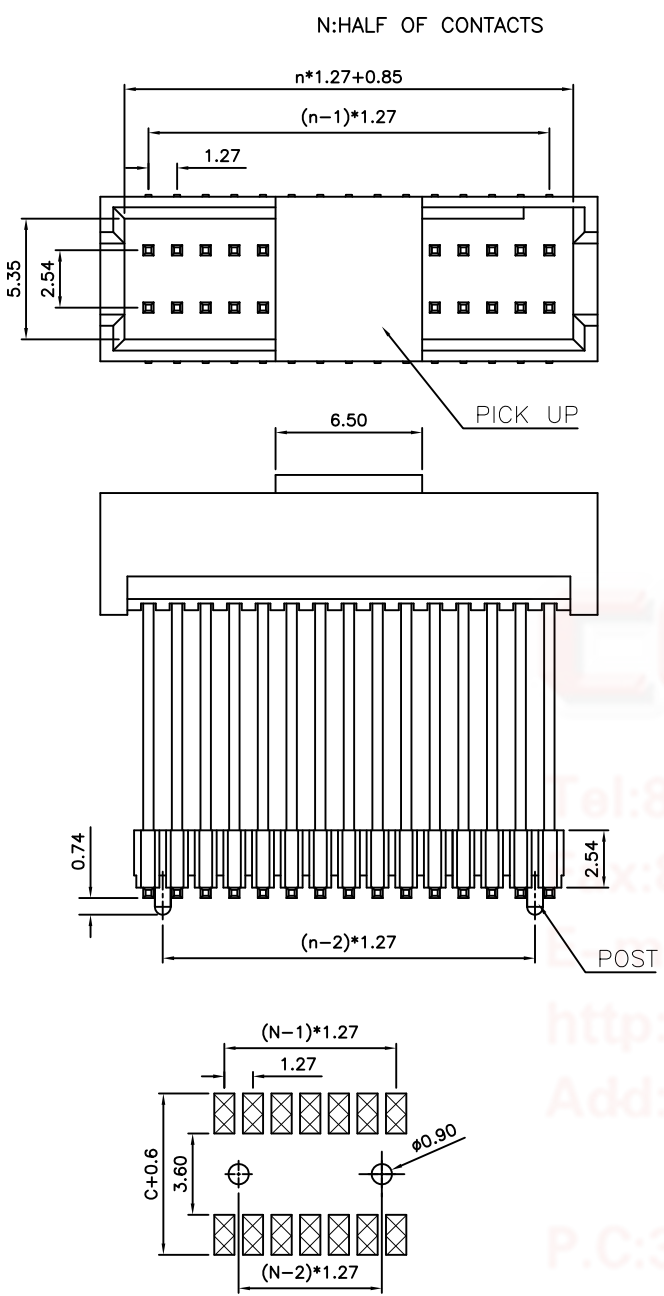


REV.	DESCRIPTION	DRAWN	CHECKED	APPROVED
A	NEW RELEASE	YCH 06/16/12'		

NOTES:

- MATERIAL
 - INSULATOR:THERMOPLASTIC(UL 94V-0).
 - CONTACT MATERIAL:COPPER ALLOY.
- SPECIFICATION
 - CURRENT RATING:1.0 Amp.
 - INSULATION RESISTANCE:1000MΩ Min.
 - DIELECTRIC WITHSTANDING:300VAC.
 - CONTACT RESISTANCE:20mΩ Max.
 - OPERATING TEMPERATURE:-40°C TO+105°C.
- PRODUCT NUMBER CODE:
 DS1064-12 - X X X X X X X X - X
 - PLATING LEVEL
3A: 3A LEVEL
 - PACKING TYPE
A: POLYBAG
B: TUBE
R: TAPE ON REEL
 - DIM.A B TYPE
1: TYPE 1
 - PICK UP SUPPORT TYPE
S: W/ PICK UP
X: W/O PICK UP
 - POST SUPPORT TYPE
S: W/ POST
X: W/O POST
 - HOUSING COLOR
B:BLACK
 - CONTACT PLATING
8: FULL GOLD FLASH
 - CONNECTOR TYPE
P:PLUG
 - No.OF CONTACTS
2*2-2*40

TYPE	DIM A	DIM B	DIM C
1	9.50	3.00	7.50
2			
3			
4			
5			
6			
7			
8			
9			



RECOMMEND PCB LAYOUT
(TOLERANCE=±0.05)

GENERAL TOLERANCE		ANGLE TOLERANCE	
X.	±0.60	X.	±5°
.X	±0.38	.X	±3°
.XX	±0.25	.XX	±2°
DRAWING TYPE		CUSTOMER	
SCALE	1:1	SHEET	1 OF 1
DRAWING NO.	C-DS1064-12-XXXXXXX-X		

PROJECTION		TITLE	1.27*2.54mm PIN HEADER & BOX HEADER SMT TYPE
UNITS	mm	SERIES	DS1064-12 SERIES
SHEET SIZE	A4		

晨翔电子有限公司
CONNFLY CONNFLY ELECTRONIC CO. LTD