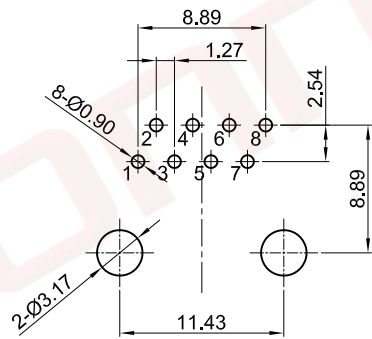
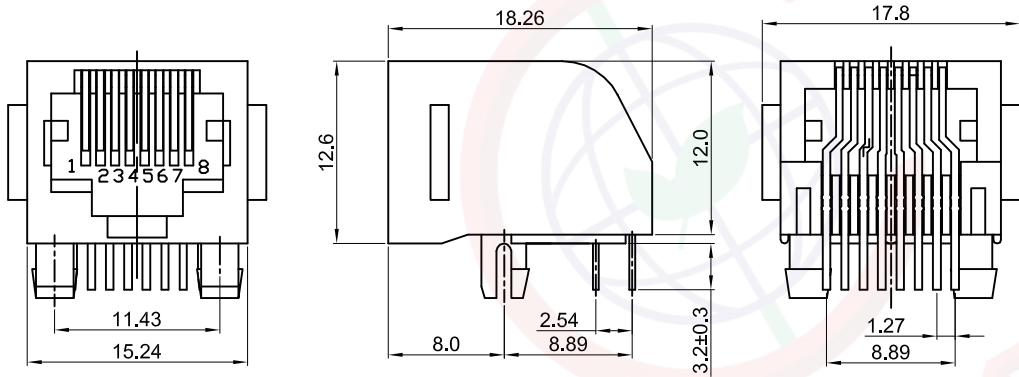


|      |   |
|------|---|
| Dept |   |
| Qty  |   |
| DC   | 1 |
| ED   | 1 |
| IE   | 1 |
| ISO  | 1 |
| PD   | 1 |
| R&D  | 1 |
| SD   | 1 |
| QA   | 1 |
| QC   | 1 |
| QF   | 1 |

The information provided herein is from CONNELY Electronic Co., Ltd. and is confidential. Any disclosure to a party other than the recipient is prohibited. The intellectual properties and its rights contained herein, including but not limited to, trademarks, patents, copyrights, trade secrets, and technical know-how, are owned exclusively by CONNELY or its affiliates. Unauthorized use of this information in any format or manner. CONNELY may enforce its intellectual property rights at its own discretion; failures or delays to exercise such rights does not constitute a waiver of such rights.

| REV. | DESCRIPTION    | DRAWN         | CHECKED | APPROVED |
|------|----------------|---------------|---------|----------|
| A    | NEW RELEASE    | JLZ 03/27/17' |         |          |
| B    | DRAWING UPDATE | JLZ 07/16/24' |         |          |
|      |                |               |         |          |



Recommend PCB Layout  
Tolerance:±0.05



(Series Image-Reference Only)

Notes:

- Electrical Characteristics:
  - Contact Resistance: 30mΩ Max.
  - Dielectric Withstanding Voltage: 1000V AC(rms) For 1 Minute.
  - Insulation Resistance: 1000MΩ Min.
  - Current Rating:1.5A.
  - Voltage Rating:125V AC rms.
- Environment Characteristics:
  - Temperature: -40°C~+85°C.
- Materials:
  - Contact Material: Copper Alloy.
  - Contact Plating: Selective Gold Over Nickel.
  - Insulator Materials: PBT,Black,UL94-V0.
- Product Number Code:

DS1134-13 - X X X X X

- Ear Support  
S:W/ Ear
- Insulator Material  
P:PBT
- Contact Plating  
8:Selective gold flash  
3:3u" gold  
6:6u" gold  
15:15u" gold  
30:30u" gold
- Housing Color  
B:Black
- No.Of Contacts  
8:8p8c
- Connector Type  
S:Socket

| GENERAL TOLERANCE |       | ANGLE TOLERANCE |     |
|-------------------|-------|-----------------|-----|
| X.                | ±0.60 | X.              | ±5° |
| .X                | ±0.38 | .X              | ±3° |
| .XX               | ±0.25 | .XX             | ±2° |

| PROJECTION | TITLE                          |
|------------|--------------------------------|
|            | PCB Jack 8 Positions W/O Shell |
| UNITS      | R/A Type L=18.26mm             |
| SHEET SIZE | SHEET                          |
| A4         | DS1134-13 SERIES               |

| DRAWING TYPE | CUSTOMER             |
|--------------|----------------------|
| SCALE        | 1:1 SHEET 1 OF 1     |
| DRAWING NO.  | C-DS1134-13-XXXXXX-B |

晨翔电子有限公司  
**CONNFLY CONNELY ELECTRONIC CO. LTD**