

The information provided herein is from CONNELY Electronic Co., Ltd. and is confidential. Any disclosure to a party other than the recipient is prohibited. The intellectual properties and its rights contained herein, including but not limited to, trademarks, patents, copyrights, trade secrets, and technical know-how, are owned exclusively by CONNELY or its affiliates. Unauthorized use or reproduction of this document in any format or manner. CONNELY may enforce its intellectual property rights at its own discretion; failures or delays to exercise such rights does not constitute a waiver of such rights.

1 2 3 4 5 6 7 8

REV.	DESCRIPTION	DRAWN	CHECKED	APPROVED
A	NEW RELEASE	LL 12/15/06		LJC 12/15/06
B	DRAWING UPDATE	JLZ 08/15/16'	HZW 08/15/16'	LJC 08/15/16'
C	DRAWING UPDATE	JLZ 12/13/18'	HZW 12/13/18'	LJC 12/13/18'
D	DRAWING UPDATE	JLZ 03/31/21'		

B
QA
QC
QF

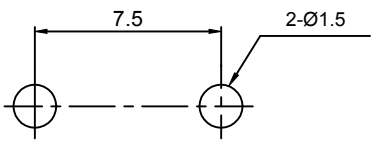
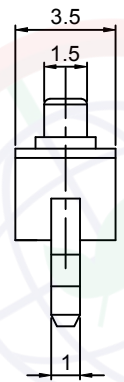
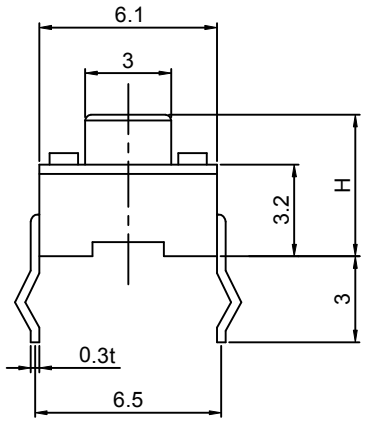
C
D

F

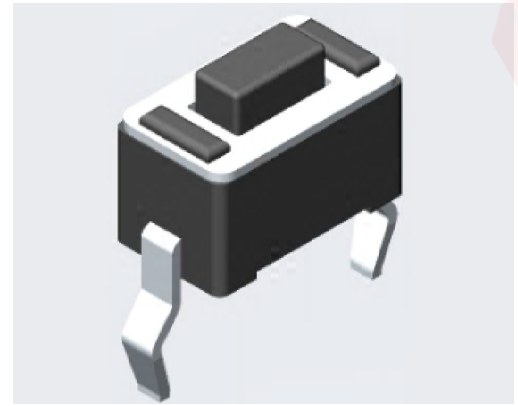
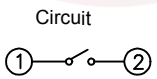
F

G

H



Recommend PCB layout
Tolerance:±0.05



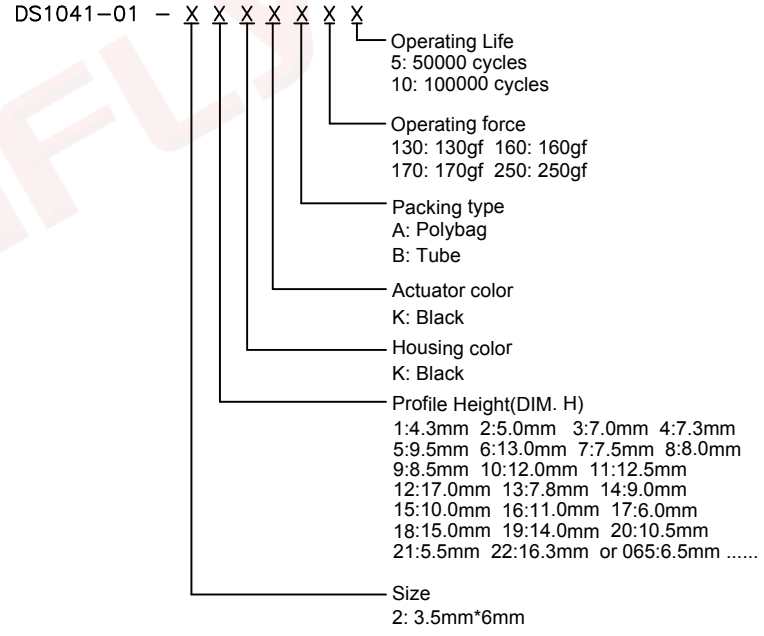
(Series Image-Reference Only)

NOTES:

1. Specifications

- Switch Function: Single Pole Single Throw
- Contact Rating: 50mA at 12Vdc
- Insulation Resistance:100MΩ min.
- Contact Resistance:100mΩ max.
- Operating Life:50,000/100,000 cycles
- Stop Strength: Place The Switch Such That Vertical, A Static Load Of 3Kgf Shall Be Applied In The Direction
- Operation Temperature Range: -25°C to +70°C
- Wave Soldering: Recommended Solder Temperature At 500°f(260°C)max. 5 Seconds,Subject To pcb 1.6mm Thickness.
- Hand Soldering: Use Soldering Iron Of 30 Watts,Controlled At 608°f(320°C)Approximately 2 Seconds.

2. Product number code:



GENERAL TOLERANCE		ANGLE TOLERANCE		PROJECTION		TITLE	TACT SWITCH DIP TYPE 3.5mmX6mm					
X.	±0.60	X.	±5°	UNITS	mm	SHEET	A4					
.X	±0.38	.X	±3°	SHEET SIZE	A4	SERIES	DS1041-01 SERIES					
.XX	±0.25	.XX	±2°									
DRAWING TYPE		CUSTOMER		晨翔电子有限公司 CONNELY CONNELY ELECTRONIC CO. LTD								
SCALE		1:1							SHEET		1 OF 2	
DRAWING NO.		C-DS1041-01-2XXXXXX-D										

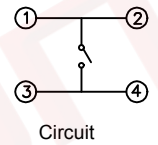
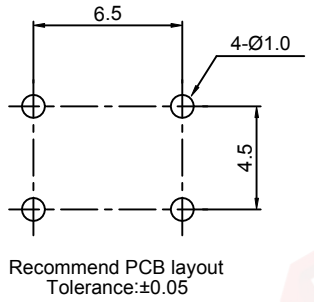
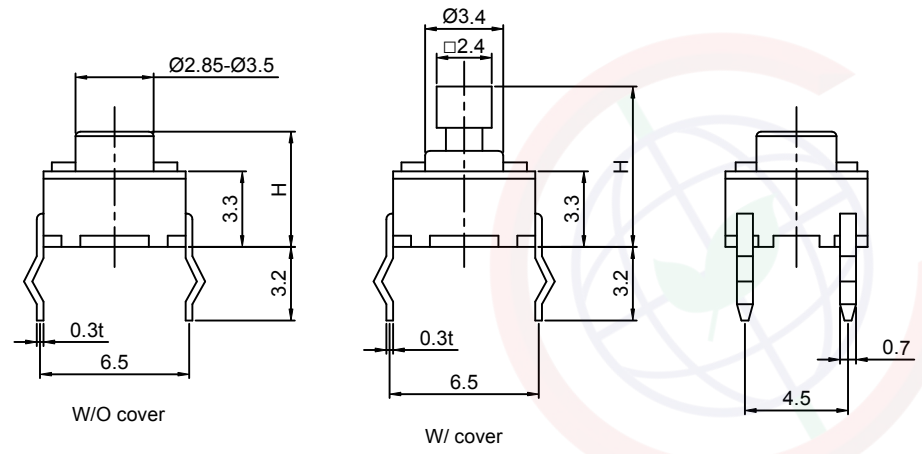
1 2 3 4 5 6 7 8

The information provided herein is from CONNELY Electronic Co., Ltd. and is confidential. Any disclosure to a party other than the recipient is prohibited. The intellectual properties and its rights contained herein, including but not limited to, trademarks, patents, copyrights, trade secrets, and technical know-how, are owned exclusively by CONNELY or its affiliates. Unauthorized use or reproduction of this document in any format or manner. CONNELY may enforce its intellectual property rights at its own discretion; failures or delays to exercise such rights does not constitute a waiver of such rights.

1 2 3 4 5 6 7 8

Dept	
Qty	
DC	1
ED	1
IE	1
ISO	1
PD	1
R&D	1
SD	1
QA	1
QC	1
QF	1

REV.	DESCRIPTION	DRAWN	CHECKED	APPROVED
A	NEW RELEASE	LL 12/15/06		LJC 12/15/06
B	DRAWING UPDATE	JLZ 08/15/16'	HZW 08/15/16'	LJC 08/15/16'
C	DRAWING UPDATE	JLZ 12/13/18'	HZW 12/13/18'	LJC 12/13/18'
D	DRAWING UPDATE	JLZ 02/20/21'		



(Series Image-Reference Only)

NOTES:

- Specifications
 - Switch Function: Single Pole Single Throw
 - Contact Rating: 50mA at 12Vdc
 - Insulation Resistance:100MΩ min.
 - Contact Resistance:100mΩ max.
 - Operating Life:50,000/100,000 cycles
 - Stop Strength: Place The Switch Such That Vertical, A Static Load Of 3Kgf Shall Be Applied In The Direction
 - Operation Temperature Range: -25°C to +70°C
 - Wave Soldering: Recommended Solder Temperature At 500°f(260°C)max. 5 Seconds,Subject To pcb 1.6mm thickness.
 - Hand Soldering: Use Soldering Iron Of 30 Watts,Controlled At 608°f(320°C)Approximately 2 Seconds.
- Product number code:

DS1041-01 - X X X X X X - X

- Cover Support:
 - S: W/ Cover(H=7.3 Only)
 - N/A Code: W/O Cover
- Operating Life
 - 5: 50000 cycles
 - 10: 100000 cycles
- Operating force
 - 130: 130gf 160: 160gf
 - 170: 170gf 250: 250gf
- Packing type
 - A: polybag
 - B: tube
- Actuator color
 - K: black
- Housing color
 - K: black
- Profile Height(DIM.H, H>7.3 The cover is cylindrical,Black)
 - 1:4.3mm 2:5.0mm 3:7.0mm 4:7.3mm
 - 5:9.5mm 6:13.0mm 7:7.5mm 8:8.0mm
 - 9:8.5mm 10:12.0mm 11:12.5mm
 - 12:17.0mm 13:7.8mm 14:9.0mm
 - 15:10.0mm 16:11.0mm 17:6.0mm
 - 18:15.0mm 19:14.0mm 20:10.5mm
 - 21:5.5mm 22:16.3mm 23:18.0mm 24:16.0mm
 - or 065:6.5mm
- Size
 - 1: 6mm*6mm

GENERAL TOLERANCE		ANGLE TOLERANCE		PROJECTION		TITLE	TACT SWITCH DIP TYPE 6mmX6mm					
X.	±0.60	X.	±5°	UNITS	mm	SHEET	DS1041-01 SERIES					
.X	±0.38	.X	±3°	SHEET SIZE	A4	SERIES	DS1041-01 SERIES					
.XX	±0.25	.XX	±2°									
DRAWING TYPE		CUSTOMER		晨翔电子有限公司 CONNELY CONNELY ELECTRONIC CO. LTD								
SCALE		1:1							SHEET		2 OF 2	
DRAWING NO.		C-DS1041-01-1XXXXXX-D										

1 2 3 4 5 6 7 8